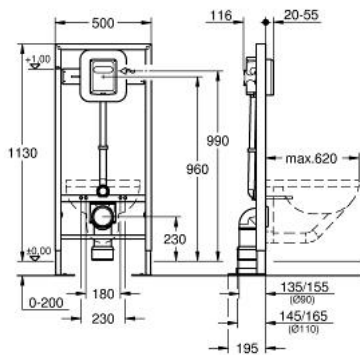


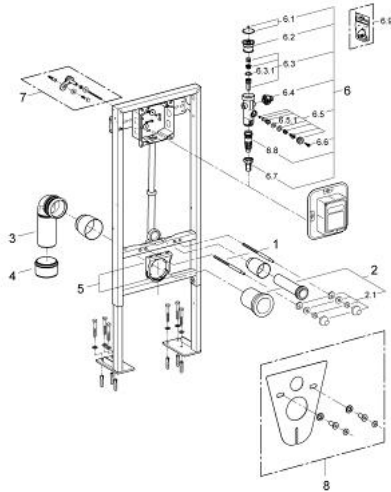
38 585 001 **RAPID SL FOR WC**



PRODUCT DESCRIPTION

- with flush valve 6 - 9 l
- for manual / electronic actuation
- 1.13 m installation height
- for free-standing installation, for on-the-wall installations or studded walls
- steel frame with foil coating/hot galvanized, self-supporting
- for dry-cladding, completely pre-assembled
- for single installation
- lockable
- height adjustable fitting connections
- fixing material
- TÜV approved
- 2 WC fixing bolts
- distance of fixing bolts 180/230 mm
- depth adjustable
- outlet bend \varnothing 90 mm
- reducer \varnothing 90/110 mm
- inlet and outlet connecting set
- manual/electronic actuation
- adjustable
- low noise (group I acc. to German Noise Specification)
- 3/4"
- 6 - 9 l adjustable
- stop valve
- flush bend
- flow rate adjustment
- without accessories for on-the-wall installation

38 585 001 **RAPID SL FOR WC**



SPARE PARTS, 2月 2006 – now

- 1: Threaded bolt (Spare part-nr. 4276400M)
- 2: WC inlet and outlet connecting set (Spare part-nr. 37311K00)
- 2.1: Basin fastening (Spare part-nr. 43511SH0)
- 2.2: Connector (Spare part-nr. 37119000)
- 3: PP-outlet bend Ø 90 mm (Spare part-nr. 42327000)
- 4: Reducer (Spare part-nr. 42242000)
- 5: Support for outlet bend (Spare part-nr. 42243000)
- 6: Flush valve for WC (Spare part-nr. 37153000)
- 6.1: Hand wheel (Spare part-nr. 43043000)
- 6.2: Cover (Spare part-nr. 43122000)
- 6.3: Piston (Spare part-nr. 43451000)
- 6.3.1: Sleeve (Spare part-nr. 4376900M)
- 6.4: Supply stop (Spare part-nr. 43405000)
- 6.5: Safety valve (Spare part-nr. 43422000)
- 6.5.1: Membrane (Spare part-nr. 4377300M)
- 6.6: Operating rod (Spare part-nr. 43067000)
- 6.7: Discharge sleeve (Spare part-nr. 43326000)
- 6.8: Throttle nozzle (Spare part-nr. 43407000)
- 6.9: Set of seals (Spare part-nr. 43012000)*
- 7: Wall brackets (Spare part-nr. 3855800M)*
- 8: Set for noise protection (Spare part-nr. 37131000)*

* Optional accessories