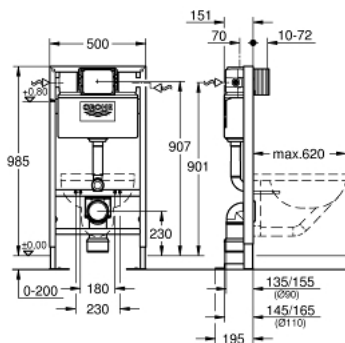


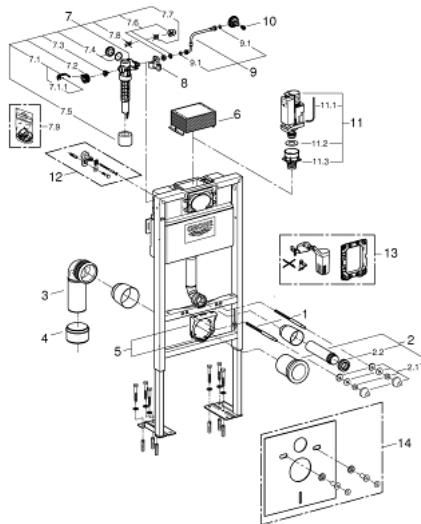
## 38 586 001 RAPID SL ELEMENT FOR WC, 1.00 M INSTALLATION HEIGHT



### PRODUCT DESCRIPTION

- with flushing cistern 6 - 9 l
- for free-standing installation, for on-the-wall installations or studded walls
- powder coated steel frame, self-supporting
- for dry-cladding, completely pre-assembled
- with fixed connections
- fixing material
- TÜV approved
- 2 WC fixing bolts
- fixing device for ceramic
- distance of fixing bolts 180/230 mm
- outlet bend Ø 90 mm
- depth adjustable
- reducer Ø 90/110 mm
- inlet and outlet connecting set
- flushing cistern 6 - 9 l containing the following features:
  - pneumatic discharge valve offering 3 modes of operation: dual flush or start/stop or single flush
  - front or top actuation
  - water supply from left/right or back
  - low noise (group I acc. to German Noise Specification)
  - insulated against condensation
- 1/2" water supply connection including integrated angle valve and push fit flexible hose union
- shortable inspection shaft including protection during construction phase
- for on-the-wall installation please order wall brackets 38 558 00M (sold separately)
- for mounting of small flush plates please order revision shaft 40 950 000 (sold separately)

## 38 586 001 **RAPID SL ELEMENT FOR WC, 1.00 M INSTALLATION HEIGHT**



### SPARE PARTS, 10月 2012 – now

- 1: Threaded bolt (Spare part-nr. 4276400M)
- 2: WC inlet and outlet connecting set (Spare part-nr. 37311K00)
  - 2.1: Basin fastening (Spare part-nr. 43511SH0)
  - 2.2: Connector (Spare part-nr. 37119000)
- 3: PP-outlet bend Ø 90 mm (Spare part-nr. 42327000)
- 4: Reducer (Spare part-nr. 42242000)
- 5: Support for outlet bend (Spare part-nr. 42243000)
- 6: Inspection shaft for flushing cistern (Spare part-nr. 42326000)
- 7: Filling valve (Spare part-nr. 37095000)
  - 7.1: Lever (Spare part-nr. 43734000)
    - 7.1.1: Seal (Spare part-nr. 4377000M)
  - 7.2: Valve head (Spare part-nr. 43536000)
  - 7.3: Membrane (Spare part-nr. 4375800M)
  - 7.4: Screw cap (Spare part-nr. 43735000)
  - 7.5: Valve float, 5 pcs. (Spare part-nr. 4379100M)
  - 7.6: Set of seals (Spare part-nr. 43722000)\*
- 8: Support device (Spare part-nr. 42195000)
- 9: Overflow Sleeve (Spare part-nr. 43325000)
  - 9.1: Sealing washer (Spare part-nr. 0319100M)
- 10: Headpart (Spare part-nr. 42385000)
- 11: Discharge valve AV1 complete (Spare part-nr. 42314000)
  - 11.1: Pneumatic hose (Spare part-nr. 42319000)
  - 11.2: Seal (Spare part-nr. 42310000)
  - 11.3: Valve seat for GD2 (Spare part-nr. 42315000)
- 12: Wall brackets (Spare part-nr. 3855800M)\*
- 13: Retrofit set (Spare part-nr. 38796000)\*
- 14: Set for noise protection (Spare part-nr. 37131000)\*

\* Optional accessories