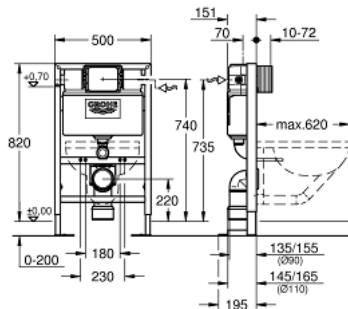


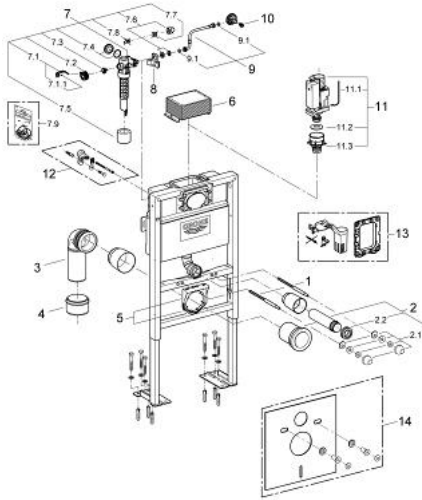
## 38 587 000 RAPID SL ELEMENT FOR WC, 0.82 M INSTALLATION HEIGHT



### PRODUCT DESCRIPTION

- with flushing cistern 6 - 9 l
- for free-standing installation, for on-the-wall installations or studded walls
- powder coated steel frame, self-supporting
- for dry-cladding, completely pre-assembled
- with fixed connections
- lockable
- TÜV approved
- fixing material
- 2 WC fixing bolts
- fixing device for ceramic
- distance of fixing bolts 180/230 mm
- 90° rotatable PVC outlet bend 90 mm
- depth adjustable
- reducer Ø 90/110 mm
- inlet and outlet connecting set
- flushing cistern 6 - 9 l containing the following features:
  - pneumatic discharge valve offering 3 modes of operation: dual flush or start/stop or single flush
  - front or top actuation
  - water supply from left/right or back
  - low noise (group I acc. to German Noise Specification)
  - insulated against condensation
  - ½" water supply connection including integrated angle valve and push fit flexible hose union
  - inspection shaft with protecting block
  - including wall brackets 38 558 00M for on-the-wall installation
  - for mounting of small flush plates please order revision shaft 40 950 000 (sold separately)
- not compatible with Sensia Arena shower toilet

## 38 587 000 RAPID SL ELEMENT FOR WC, 0.82 M INSTALLATION HEIGHT



### SPARE PARTS, January 2013 – now

- 1: Threaded bolt (Spare part-nr. 4276400M)
- 2: WC inlet and outlet connecting set (Spare part-nr. 37311K00)
- 2.1: Basin fastening (Spare part-nr. 43511SH0)
- 2.2: Connector (Spare part-nr. 37119000)
- 3: PP-outlet bend  $\varnothing$  90 mm (Spare part-nr. 42327000)
- 4: 4" Outlet Adaptor F Rapid SI (Spare part-nr. 42242000)
- 5: Support for outlet bend (Spare part-nr. 42243000)
- 6: inspection shaft for flushing cistern (Spare part-nr. 42326000)
- 7: Filling valve (Spare part-nr. 37095000)
- 7.1: Lever (Spare part-nr. 43734000)
- 7.1.1: Ball seal dia. 9x6.8 mm (Spare part-nr. 4377000M)
- 7.2: Valve head (Spare part-nr. 43536000)
- 7.3: Membrane (Spare part-nr. 4375800M)
- 7.4: Screw cap (Spare part-nr. 43735000)
- 7.5: Valve float, 5 pcs. (Spare part-nr. 4379100M)
- 7.6: Repl. kit f. seal (Spare part-nr. 43722000)\*
- 8: Support device (Spare part-nr. 42195000)
- 9: Overflow Sleeve (Spare part-nr. 43325000)
- 9.1: Seat washer (Spare part-nr. 0319100M)
- 10: Headpart (Spare part-nr. 42385000)
- 11: Discharge valve AV1 complete (Spare part-nr. 42314000)
- 11.1: pneumatic hose (Spare part-nr. 42319000)
- 11.2: Ball seal dia. 9x6.8 mm (Spare part-nr. 42310000)
- 11.3: Valve seat for GD2 (Spare part-nr. 42315000)
- 12: Wall union (Spare part-nr. 3855800M)\*
- 13: Retro-fit set (Spare part-nr. 38796000)\*
- 14: Set for noise protection (Spare part-nr. 37131000)\*

\* Optional accessories