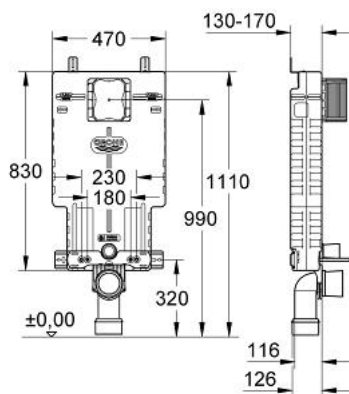


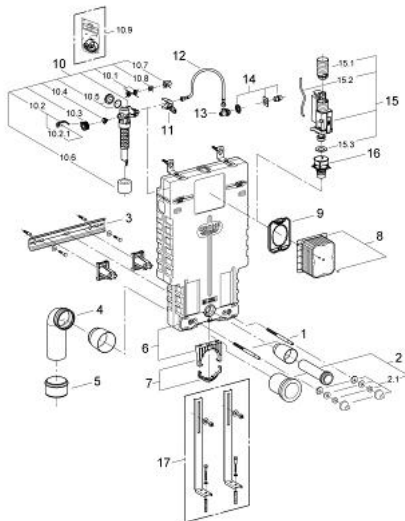
## 38 643 000 UNISET FOR WC



### PRODUCT DESCRIPTION

- flushing cistern GD 2, 6 - 9 l
- sound-insulating EPS module for masonry-in
- 830 x 470 x 130 mm
- rail adaptors for modular fixing
- wall rail with fixing accessories for single installation
- 2 WC fixing bolts
- distance of fixing bolts 180/230 mm
- fixing device for ceramic
- outlet bend  $\varnothing$  80 mm
- depth adjustable
- reducer  $\varnothing$  80/100 mm
- inlet and outlet connecting set
- pneumatic discharge valve offering 3 modes of operation: dual flush or start/stop or single flush
- water supply from left/right/back or top
- low noise (group I acc. to German Noise Specification)
- insulated against condensation
- $\frac{1}{2}$ " water supply connection including integrated angle valve and push fit flexible hose union
- inspection shaft with protecting block
- vertical and horizontal installation
- without wall plate/actuation
- GROHE EcoJoy - less water, perfect flow

## 38 643 000 UNISET FOR WC



### SPARE PARTS, December 2008 – now

- 1: Threaded bolt (Spare part-nr. 4276400M)
  - 2: WC inlet and outlet connecting set (Spare part-nr. 37311K00)
  - 2.1: Basin fastening (Spare part-nr. 43511SH0)
  - 2.2: Connector (Spare part-nr. 37119000)
  - 3: Rail (Spare part-nr. 43931000)
  - 4: PP-outlet bend Ø 90 mm (Spare part-nr. 42327000)
  - 5: 4" Outlet Adaptor F Rapid SI (Spare part-nr. 42242000)
  - 6: Cap (Spare part-nr. 43915000)
  - 7: Support for outlet bend (Spare part-nr. 42243000)
  - 8: inspection shaft for GD2 in Uniset (Spare part-nr. 42325000)
  - 9: Protective plate (Spare part-nr. 42231000)
  - 10: Filling valve (Spare part-nr. 37095000)
  - 10.1: Lever (Spare part-nr. 43734000)
  - 10.1.1: Ball seal dia. 9x6.8 mm (Spare part-nr. 4377000M)
  - 10.2: Valve head (Spare part-nr. 43536000)
  - 10.3: Membrane (Spare part-nr. 4375800M)
  - 10.4: Screw cap (Spare part-nr. 43735000)
  - 10.5: Valve float, 5 pcs. (Spare part-nr. 4379100M)
  - 10.6: Repl. kit f. seal (Spare part-nr. 43722000)\*
  - 11: Support device (Spare part-nr. 42246000)
  - 12: Tube (Spare part-nr. 42233000)
  - 12.1: Seat washer (Spare part-nr. 0319100M)
  - 13: Service valve (Spare part-nr. 42235000)
  - 14: Water supply (Spare part-nr. 42234000)
  - 15: AV1 complete with pipe extension (Spare part-nr. 42320000)
  - 15.1: Extension for overflow pipe (Spare part-nr. 42313000)
  - 15.2: pneumatic hose (Spare part-nr. 42319000)
  - 15.3: Ball seal dia. 9x6.8 mm (Spare part-nr. 42310000)
  - 16: Valve seat for GD2 (Spare part-nr. 42315000)
  - 17: Support feet (Spare part-nr. 37304000)\*
- \* Optional accessories