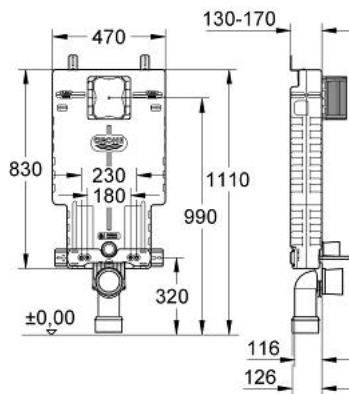


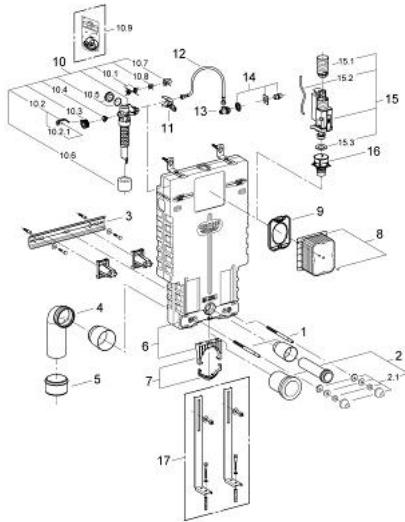
## 38 643 000 UNISET FOR WC



### PRODUCT DESCRIPTION

- flushing cistern GD 2, 6 - 9 l
- sound-insulating EPS module for masonry-in
- 830 x 470 x 130 mm
- rail adaptors for modular fixing
- wall rail with fixing accessories for single installation
- 2 WC fixing bolts
- distance of fixing bolts 180/230 mm
- fixing device for ceramic
- outlet bend Ø 80 mm
- depth adjustable
- reducer Ø 80/100 mm
- inlet and outlet connecting set
- pneumatic discharge valve offering 3 modes of operation: dual flush or start/stop or single flush
- water supply from left/right/back or top
- low noise (group I acc. to German Noise Specification)
- insulated against condensation
- 1/2" water supply connection including integrated angle valve and push fit flexible hose union
- shortable inspection shaft including protection during construction phase
- vertical or horizontal installation
- without flush plate/actuation
- GROHE EcoJoy - Less water, perfect flow

## 38 643 000 UNISET FOR WC



### SPARE PARTS, 12月 2008 – now

- 1: Threaded bolt (Spare part-nr. 4276400M)
- 2: WC inlet and outlet connecting set (Spare part-nr. 37311K00)
- 2.1: Basin fastening (Spare part-nr. 43511SH0)
- 2.2: Connector (Spare part-nr. 37119000)
- 3: Rail (Spare part-nr. 43931000)
- 4: PP-outlet bend Ø 90 mm (Spare part-nr. 42327000)
- 5: Reducer (Spare part-nr. 42242000)
- 6: Cover cap (Spare part-nr. 43915000)
- 7: Support for outlet bend (Spare part-nr. 42243000)
- 8: Inspection shaft for GD2 in Uniset (Spare part-nr. 42325000)
- 9: Protective plate (Spare part-nr. 42231000)
- 10: Filling valve (Spare part-nr. 37095000)
- 10.1: Lever (Spare part-nr. 43734000)
- 10.1.1: Seal (Spare part-nr. 4377000M)
- 10.2: Valve head (Spare part-nr. 43536000)
- 10.3: Membrane (Spare part-nr. 4375800M)
- 10.4: Screw cap (Spare part-nr. 43735000)
- 10.5: Valve float, 5 pcs. (Spare part-nr. 4379100M)
- 10.6: Set of seals (Spare part-nr. 43722000)\*
- 11: Support device (Spare part-nr. 42246000)
- 12: Connecting hose (Spare part-nr. 42233000)
- 12.1: Sealing washer (Spare part-nr. 0319100M)
- 13: Angle valve (Spare part-nr. 42235000)
- 14: Water supply (Spare part-nr. 42234000)
- 15: Dual Flush discharge valve AV1 (Spare part-nr. 42320000)
- 15.1: Extension for overflow pipe (Spare part-nr. 42313000)
- 15.2: Pneumatic hose (Spare part-nr. 42319000)
- 15.3: Seal (Spare part-nr. 42310000)
- 16: Valve seat for GD2 (Spare part-nr. 42315000)
- 17: Support feet (Spare part-nr. 37304000)\*

\* Optional accessories