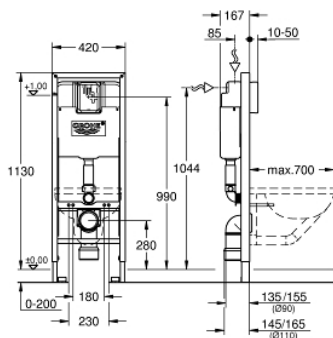


38 675 001 RAPID SL ELEMENT FOR WC, 1.13 M INSTALLATION HEIGHT, 0.42 M WIDTH

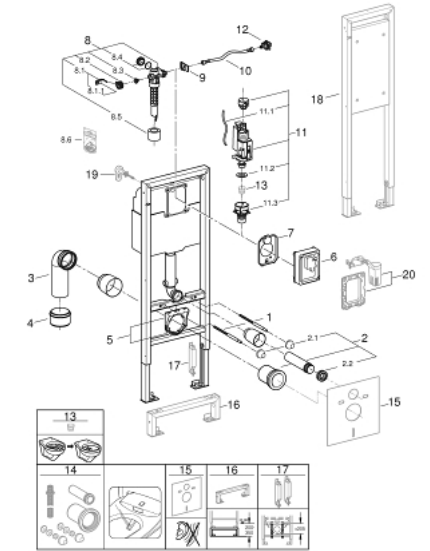


PRODUCT DESCRIPTION

- with flush cistern 6 l
- for WC bowls 70 cm projection
- for on-the-wall installations or studded walls
- powder coated steel frame, self-supporting
- for dry-cladding, completely pre-assembled
- with fixed connections
- fixing material
- TÜV approved
- 2 WC fixing bolts
- fixing device for ceramic
- distance of fixing bolts 180/230 mm
- outlet bend Ø 90 mm
- depth adjustable
- reducer Ø 90/110 mm
- inlet and outlet connecting set
- pneumatic discharge valve offering 3 modes of operation: dual flush or start/stop or single flush
- low noise (group I acc. to German Noise Specification)
- insulated against condensation
- ½" water supply connection including integrated angle valve and push fit flexible hose union
- for on-the-wall installation please order wall brackets 38 558 00M (sold separately)
- for the mounting of support rails for the disabled please order fixing element 38 559 001 (sold separately)



38 675 001 RAPID SL ELEMENT FOR WC, 1.13 M INSTALLATION HEIGHT, 0.42 M WIDTH



SPARE PARTS, September 2021 – now

- 1: Threaded bolt (Spare part-nr. 4276400M)
- 2: WC inlet and outlet connecting set (Spare part-nr. 37311K00)
- 2.1: Basin fastening (Spare part-nr. 43511SH0)
- 2.2: Connector (Spare part-nr. 37119000)
- 3: PP-outlet bend Ø 90 mm (Spare part-nr. 42327000)
- 4: 4" Outlet Adaptor F Rapid SI (Spare part-nr. 42242000)
- 5: Support for outlet bend (Spare part-nr. 42243000)
- 6: Protection cap (Spare part-nr. 43944000)
- 7: Protective plate (Spare part-nr. 43552000)
- 8: Filling valve (Spare part-nr. 43537000)
- 8.1: Dummy plug and escutcheon cap (Spare part-nr. 37125000)
- 8.2: Lever (Spare part-nr. 43734000)
- 8.2.1: Ball seal dia. 9x6.8 mm (Spare part-nr. 4377000M)
- 8.3: Valve head (Spare part-nr. 43536000)
- 8.4: Membrane (Spare part-nr. 4375800M)
- 8.5: Screw cap (Spare part-nr. 43735000)
- 8.6: Valve float, 5 pcs. (Spare part-nr. 4379100M)
- 8.7: Throttle (Spare part-nr. 42356000)
- 8.8: Repl. kit f. seal (Spare part-nr. 43722000)*
- 9: Support device (Spare part-nr. 43551000)
- 10: Hose (Spare part-nr. 43349000)
- 11: AV1 complete (Spare part-nr. 66558000)
- 11.1: pneumatic hose (Spare part-nr. 42319000)
- 11.2: Ball seal dia. 9x6.8 mm (Spare part-nr. 42310000)
- 11.3: Valve seat for GD2 (Spare part-nr. 42315000)
- 12: Water connection (Spare part-nr. 48561000)
- 13: Flow restrictor (Spare part-nr. 42300000)*
- 14: Retrofit kit for shower toilets Sensia Arena and Sensia Pro (Spare part-nr. 4 0899000)*
- 15: Set for noise protection (Spare part-nr. 37131000)*
- 16: Extension (Spare part-nr. 38629000)*
- 17: Accessory (Spare part-nr. 38779000)*
- 18: Fixing element, 1.13 m installation height (Spare part-nr. 38559001)*
- 19: Wall union (Spare part-nr. 3855800M)*
- 20: Retro-fit set (Spare part-nr. 38796000)*

* Optional accessories