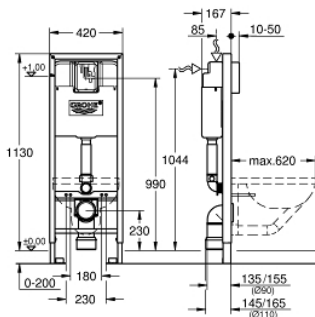


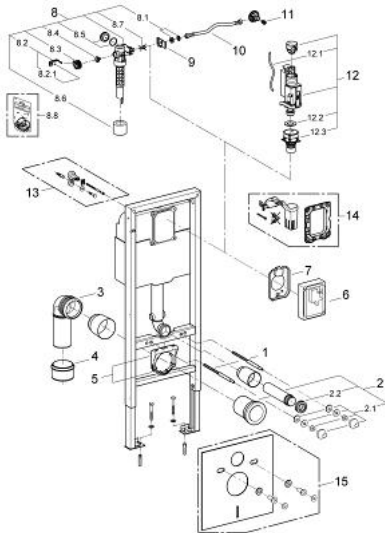
38 713 001 RAPID SL ELEMENT FOR WC, 1.13 M INSTALLATION HEIGHT, 0.42 M WIDTH



PRODUCT DESCRIPTION

- flushing cistern 6 l
- 1.13 m installation height
- for on-the-wall installations or studded walls
- powder coated steel frame, self-supporting
- for dry-cladding, completely pre-assembled
- with fixed connections
- quick adjustment, lockable
- fixing material
- TÜV approved
- 2 WC fixing bolts
- fixing device for ceramic
- distance of fixing bolts 180/230 mm
- outlet bend Ø 90 mm
- depth adjustable
- reducer Ø 90/110 mm
- inlet and outlet connecting set
- pneumatic discharge valve offering 3 modes of operation: dual flush or start/stop or single flush
- water supply from top or back
- low noise (group I acc. to German Noise Specification)
- insulated against condensation
- 1/2" water supply connection including integrated angle valve and push fit flexible hose union
- without accessories for on-the-wall installation

38 713 001 **RAPID SL ELEMENT FOR WC, 1.13 M INSTALLATION HEIGHT, 0.42 M WIDTH**



SPARE PARTS, 3月 2013 – now

- 1: Threaded bolt (Spare part-nr. 4276400M)
- 2: WC inlet and outlet connecting set (Spare part-nr. 37311K00)
- 2.1: Basin fastening (Spare part-nr. 43511SH0)
- 2.2: Connector (Spare part-nr. 37119000)
- 3: PP-outlet bend Ø 90 mm (Spare part-nr. 42327000)
- 4: Reducer (Spare part-nr. 42242000)
- 5: Support for outlet bend (Spare part-nr. 42243000)
- 6: Protection cap (Spare part-nr. 43944000)
- 7: Protective plate (Spare part-nr. 43552000)
- 8: Filling valve (Spare part-nr. 43537000)
- 8.1: Dummy plug and escutcheon cap (Spare part-nr. 37125000)
- 8.2: Lever (Spare part-nr. 43734000)
- 8.2.1: Seal (Spare part-nr. 4377000M)
- 8.3: Valve head (Spare part-nr. 43536000)
- 8.4: Membrane (Spare part-nr. 4375800M)
- 8.5: Screw cap (Spare part-nr. 43735000)
- 8.6: Valve float, 5 pcs. (Spare part-nr. 4379100M)
- 8.7: Throttle (Spare part-nr. 42356000)
- 8.8: Set of seals (Spare part-nr. 43722000)*
- 9: Support device (Spare part-nr. 43551000)
- 10: Hose (Spare part-nr. 43349000)
- 11: Headpart (Spare part-nr. 42385000)
- 12: Dual Flush discharge valve AV1 (Spare part-nr. 66558000)
- 12.1: Pneumatic hose (Spare part-nr. 42319000)
- 12.2: Seal (Spare part-nr. 42310000)
- 12.3: Valve seat for GD2 (Spare part-nr. 42315000)
- 13: Wall brackets (Spare part-nr. 3855800M)*
- 14: Retrofit set (Spare part-nr. 38796000)*
- 15: Set for noise protection (Spare part-nr. 37131000)*

* Optional accessories