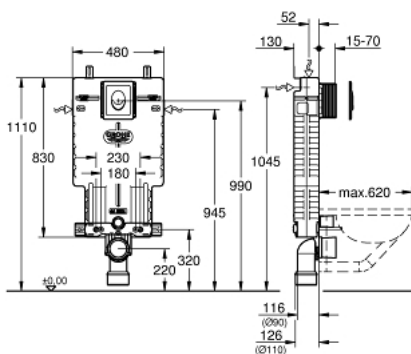


38 723 001 UNISET 2-IN-1 SET FOR WC

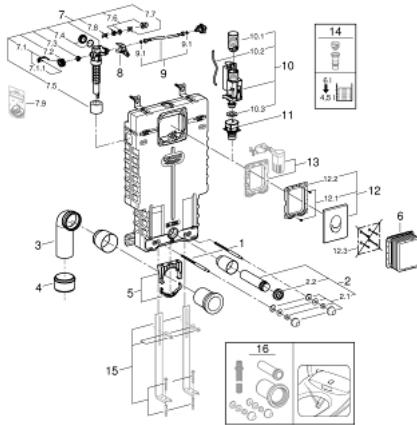


PRODUCT DESCRIPTION

- with flushing cistern GD 2, 6 - 9 l
- consisting of:
 - Uniset element for WC (38 643 001)
 - Skate Air flush plate, chrome, vertical installation (38 505 000)



38 723 001 UNISET 2-IN-1 SET FOR WC



SPARE PARTS, 10月 2017 – now

- 1: Threaded bolt (Spare part-nr. 4276400M)
- 2: WC inlet and outlet connecting set (Spare part-nr. 37311K00)
- 2.1: Basin fastening (Spare part-nr. 43511SH0)
- 2.2: Connector (Spare part-nr. 37119000)
- 3: PP-outlet bend Ø 90 mm (Spare part-nr. 42327000)
- 4: Reducer (Spare part-nr. 42242000)
- 5: Support for outlet bend (Spare part-nr. 42243000)
- 6: Inspection shaft (Spare part-nr. 66783000)
- 7: Filling valve (Spare part-nr. 37095000)
- 7.1: Lever (Spare part-nr. 43734000)
- 7.1.1: Seal (Spare part-nr. 4377000M)
- 7.2: Valve head (Spare part-nr. 43536000)
- 7.3: Membrane (Spare part-nr. 4375800M)
- 7.4: Screw cap (Spare part-nr. 43735000)
- 7.5: Valve float, 5 pcs. (Spare part-nr. 4379100M)
- 7.6: Set of seals (Spare part-nr. 43722000)*
- 8: Support device (Spare part-nr. 42246000)
- 9: Connecting hose (Spare part-nr. 42233000)
- 9.1: Sealing washer (Spare part-nr. 0319100M)
- 10: Dual Flush discharge valve AV1 (Spare part-nr. 42320000)
- 10.1: Extension for overflow pipe (Spare part-nr. 42313000)
- 10.2: Pneumatic hose (Spare part-nr. 42319000)
- 10.3: Seal (Spare part-nr. 42310000)
- 11: Valve seat for GD2 (Spare part-nr. 42315000)
- 12: Flush plate (Spare part-nr. 38505000)
- 12.1: Screw (Spare part-nr. 6636200M)
- 12.2: Mounting frame (Spare part-nr. 43207000)
- 12.3: Fixing set (Spare part-nr. 4308500M)*
- 12.4: Fixing set (Spare part-nr. 4215800M)*
- 13: Retrofit set (Spare part-nr. 38796000)*
- 14: 4.5 l adapter for GD2 (Spare part-nr. 42333000)*
- 15: Support feet (Spare part-nr. 37304000)*