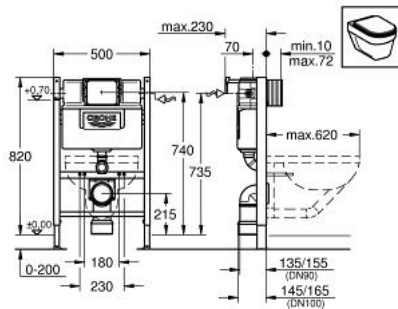


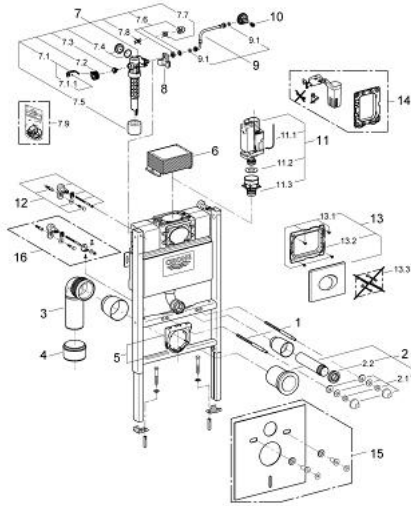
38 746 000 **RAPID SL** **FOR WALL-HUNG WC**



PRODUCT DESCRIPTION

- with flush cistern 6 l
- for on-the-wall installations or studded walls
- 0.82 m installation height
- powder coated steel frame, self-supporting
- for dry-cladding, completely pre-assembled
- with fixed connections
- quick adjustment, lockable
- fixing material
- 2 WC fixing bolts
- fixing device for ceramic
- distance of fixing bolts 180/230 mm
- outlet bend Ø 90 mm
- depth adjustable
- reducer Ø 90/110 mm
- inlet and outlet connecting set
- flushing cistern 6 l
- plus 3 l safety flush volume
- pneumatic discharge valve offering 3 modes of operation: dual flush or start/stop or single flush
- front or top actuation
- water supply from left/right or back
- low noise (group I acc. to German Noise Specification)
- insulated against condensation
- ½" water supply connection including integrated angle valve and push fit flexible hose union
- polystyrene protecting block
- including wall plate Skate Air
- horizontal installation
- 156 x 197 mm
- chrome
- material: ABS
- 2 wall brackets with fixing material
- GROHE EcoJoy - less water, perfect flow

38 746 000 **RAPID SL** **FOR WALL-HUNG WC**



SPARE PARTS, March 2013 – now

- 1: Threaded bolt (Spare part-nr. 4276400M)
 - 2: WC inlet and outlet connecting set (Spare part-nr. 37311K00)
 - 2.1: Basin fastening (Spare part-nr. 43511SH0)
 - 2.2: Connector (Spare part-nr. 37119000)
 - 3: PP-outlet bend Ø 90 mm (Spare part-nr. 42327000)
 - 4: 4" Outlet Adaptor F Rapid Sl (Spare part-nr. 42242000)
 - 5: Support for outlet bend (Spare part-nr. 42243000)
 - 6: inspection shaft.for flushing cistern (Spare part-nr. 42326000)
 - 7: Filling valve (Spare part-nr. 37095000)
 - 7.1: Lever (Spare part-nr. 43734000)
 - 7.1.1: Ball seal dia. 9x6.8 mm (Spare part-nr. 4377000M)
 - 7.2: Valve head (Spare part-nr. 43536000)
 - 7.3: Membrane (Spare part-nr. 4375800M)
 - 7.4: Screw cap (Spare part-nr. 43735000)
 - 7.5: Valve float, 5 pcs. (Spare part-nr. 4379100M)
 - 7.6: Repl. kit f. seal (Spare part-nr. 43722000)*
 - 8: Support device (Spare part-nr. 42195000)
 - 9: Overflow Sleeve (Spare part-nr. 43325000)
 - 9.1: Seat washer (Spare part-nr. 0319100M)
 - 10: Headpart (Spare part-nr. 42385000)
 - 11: Discharge valve AV1 complete (Spare part-nr. 42314000)
 - 11.1: pneumatic hose (Spare part-nr. 42319000)
 - 11.2: Ball seal dia. 9x6.8 mm (Spare part-nr. 42310000)
 - 11.3: Valve seat for GD2 (Spare part-nr. 42315000)
 - 12: Wall union (Spare part-nr. 3855800M)
 - 13: Flush plate (Spare part-nr. 38506000)
 - 13.1: Screw dia. 4x52 mm (Spare part-nr. 6636200M)
 - 13.2: Frame (Spare part-nr. 43207000)
 - 13.3: Fixing set (Spare part-nr. 4308500M)*
 - 13.4: Fixing set (Spare part-nr. 4215800M)*
 - 14: Retro-fit set (Spare part-nr. 38796000)*
 - 15: Set for noise protection (Spare part-nr. 37131000)*
 - 16: Xtra wall brackets, flexible placing (Spare part-nr. 38733000)*
- * Optional accessories