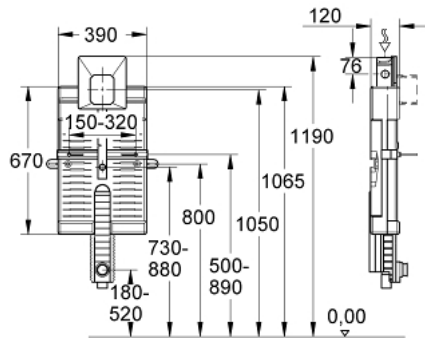


38 785 000 UNISSET ELEMENT FOR URINAL WITH INFRA-RED ELECTRONIC

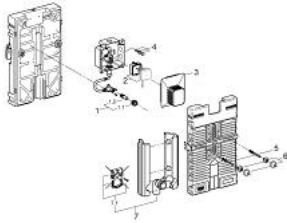


PRODUCT DESCRIPTION

- with GROHE Rapido U
- roughing-in set for urinal
- for manual actuation or Tectroninfra-red electronic 6 V or 230 V
- sound-insulating EPS module for masonry-in with closed surface
- rail adaptors for modular fixing
- for single or series installation
- fixing accessories for single installation
- height adjustable fitting connections
- inlet connection and inlet connecting set
- HT-outlet bend DN 50
- threaded bolts M8
- fixing material for urinal bowl
- water group with stop valve
- flow pressure min 0.5 bar
- operating pressure max 10 bar
- flush aid
- functional unit checked ex factory
- water supply connections ½" outer thread
- connecting box for mains supply 230 V
- installation box with gasket
- Shortable inspection shaft incl. protection during construction phase for flush plates with dimensions 116 x 144 mm



38 785 000 UNISSET ELEMENT FOR URINAL WITH INFRA-RED ELECTRONIC



SPARE PARTS, November 2015 – now

- 1: Inlet connecting set (Spare part-nr. 37044000)
- 1.1: Lip seal (Spare part-nr. 4387500M)
- 1.2: Admission Sleeve (Spare part-nr. 43891000)
- 2: Switching power supply (Spare part-nr. 42470000)
- 3: Inspection shaft (Spare part-nr. 66838000)
- 4: Isolating valve (Spare part-nr. 43392000)
- 5: Threaded bolt (Spare part-nr. 43078000)
- 6: Fastening set (Spare part-nr. 4307500M)
- 7: Flush elbow 2" (Spare part-nr. 42943000)
- 7.1: holder (Spare part-nr. 42236000)