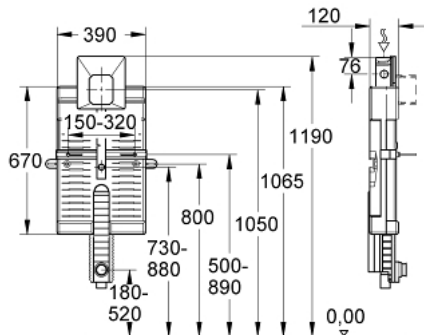


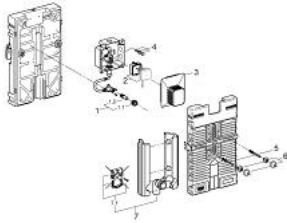
38 785 000 UNISET ELEMENT FOR URINAL WITH INFRA-RED ELECTRONIC



PRODUCT DESCRIPTION

- with GROHE Rapido U
 - roughing-in set for urinal
 - for manual actuation or Tectron infra-red electronic 6 V or 230 V
 - sound-insulating EPS module for masonry-in with closed surface
 - rail adaptors for modular fixing
 - for single or series installation
 - fixing accessories for single installation
 - height adjustable fitting connections
 - inlet connection and inlet connecting set
 - HT-outlet bend Ø 50 mm
 - threaded bolts M8
 - fixing material for urinal bowl
 - water group with stop valve
 - flow pressure min 0.5 bar
 - operating pressure max 10 bar
 - flush aid
 - functional unit checked ex factory
 - water supply connections ½" outer thread
 - connecting box for mains supply 230 V
 - installation box with gasket
 - shortable inspection shaft incl. protection during construction phase
- for flush plates with dimensions 116 x 144 mm

38 785 000 UNISET ELEMENT FOR URINAL WITH INFRA-RED ELECTRONIC



SPARE PARTS, 11月 2015 – now

- 1: Inlet connecting set 1/2" (Spare part-nr. 37044000)
- 1.1: Lip seal (Spare part-nr. 4387500M)
- 1.2: Inlet sleeve (Spare part-nr. 43891000)
- 2: Switching power supply (Spare part-nr. 42470000)
- 3: Inspection shaft (Spare part-nr. 66838000)
- 4: Supply stop (Spare part-nr. 43392000)
- 5: Threaded bolt (Spare part-nr. 43078000)
- 6: Fixation (Spare part-nr. 4307500M)
- 7: Outlet elbow 2" (Spare part-nr. 42943000)
- 7.1: Holder for outlet elbow (Spare part-nr. 42236000)