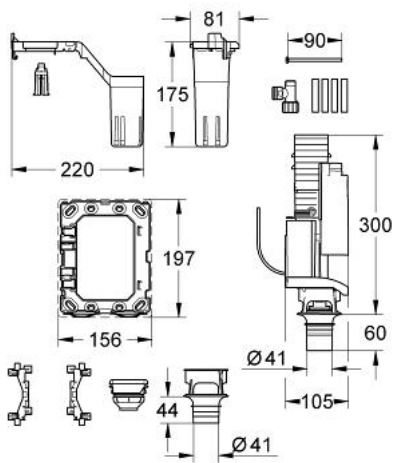


## 38 797 000 GROHE FRESH RETROFIT SET

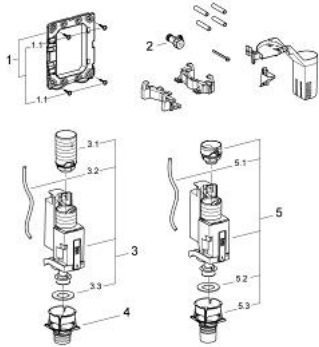


### PRODUCT DESCRIPTION

- with AV1
- for GROHE flushing cisterns with small inspection shaft
- not suitable for Skate Cosmopolitan with wood or glass or metal surface
- fixing frame with opening function
- with box for support of aromatic tabs
- for chlorine-free tabs only
- pneumatic dual flush discharge valve with valve seat
- angle valve 1/2"
- for all GROHE flush plates 156 x 197 mm



## 38 797 000 GROHE FRESH RETROFIT SET



### SPARE PARTS, 9月 2009 – now

- 1: Mounting frame (Spare part-nr. 42358000)
- 1.1: Screw (Spare part-nr. 6636200M)
- 2: Angle valve (Spare part-nr. 42730000)
- 3: Dual Flush discharge valve AV1 (Spare part-nr. 42320000)
- 3.1: Extension for overflow pipe (Spare part-nr. 42313000)
- 3.2: Pneumatic hose (Spare part-nr. 42319000)
- 3.3: Seal (Spare part-nr. 42310000)
- 4: Valve seat for GD2 (Spare part-nr. 42315000)
- 5: Dual Flush discharge valve AV1 (Spare part-nr. 66558000)
- 5.1: Pneumatic hose (Spare part-nr. 42319000)
- 5.2: Seal (Spare part-nr. 42310000)
- 5.3: Valve seat for GD2 (Spare part-nr. 42315000)