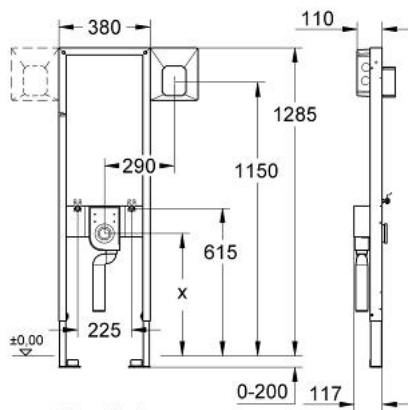


38 802 001 **RAPID SL FOR URINAL JOLY AND VISIT**



PRODUCT DESCRIPTION

- with GROHE Rapido UMB
- roughing-in set for urinal
- for manual actuation or Tectroninfra-red electronic 6 V
- 1.30 m installation height
- front actuation
- steel frame with foil coating/hot galvanized, self-supporting
- for dry-cladding
- quick adjustment, lockable
- fixing material
- TÜV approved
- concealed syphon Ø 50 mm
- water group with stop valve
- flow pressure min 0.5 bar
- operating pressure max 10 bar
- flush aid
- functional unit checked ex factory
- water supply connections ½" outer thread
- installation box with gasket
- Shortable inspection shaft incl. protection during construction phase for flush plates with dimensions 116 x 144 mm
- without accessories for on-the-wall installation



x: 480 = Visit
510 = Joly

38 802 001 **RAPID SL FOR URINAL JOLY AND VISIT**

SPARE PARTS, August 2008 – now

1: Isolating valve (Spare part-nr. 43392000)

2: Inspection shaft (Spare part-nr. 66838000)

3: Wall union (Spare part-nr. 3855800M)*

* Optional accessories

