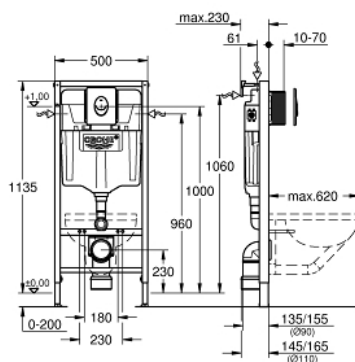


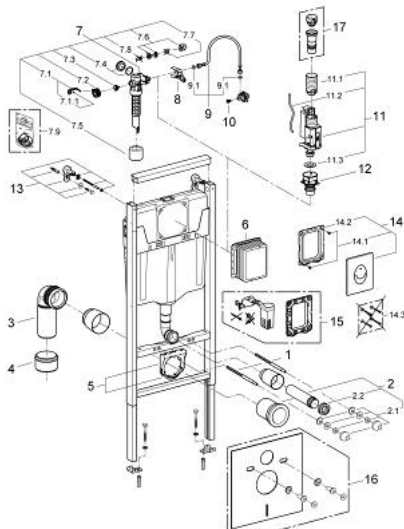
38 839 000 RAPID SL PROJECT 3-IN-1 SET FOR WC, 1.13 M INSTALLATION HEIGHT

PRODUCT DESCRIPTION

- Colour: alpine white
- with flushing cistern GD 2, 6 - 9 l
- consists of:
 - Rapid SL element for WC (38 848 000)
 - Skate Air flush plate, alpine white, vertical installation (38 505 SH0)
 - wall brackets (38 558 00M)



38 839 000 RAPID SL PROJECT 3-IN-1 SET FOR WC, 1.13 M INSTALLATION HEIGHT



SPARE PARTS, March 2013 – now

- 1: Threaded bolt (Spare part-nr. 4276400M)
- 2: WC inlet and outlet connecting set (Spare part-nr. 37311K00)
- 2.1: Basin fastening (Spare part-nr. 43511SH0)
- 2.2: Connector (Spare part-nr. 37119000)
- 3: PP-outlet bend Ø 90 mm (Spare part-nr. 42327000)
- 4: 4" Outlet Adaptor F Rapid SI (Spare part-nr. 42242000)
- 5: Support for outlet bend (Spare part-nr. 42243000)
- 6: Inspection shaft (Spare part-nr. 66791000)
- 7: Filling valve (Spare part-nr. 37095000)
- 7.1: Lever (Spare part-nr. 43734000)
- 7.1.1: Ball seal dia. 9x6.8 mm (Spare part-nr. 4377000M)
- 7.2: Valve head (Spare part-nr. 43536000)
- 7.3: Membrane (Spare part-nr. 4375800M)
- 7.4: Screw cap (Spare part-nr. 43735000)
- 7.5: Valve float, 5 pcs. (Spare part-nr. 4379100M)
- 7.6: Repl. kit f. seal (Spare part-nr. 43722000)*
- 8: Support device (Spare part-nr. 42246000)
- 9: Tube (Spare part-nr. 42233000)
- 9.1: Seat washer (Spare part-nr. 0319100M)
- 10: Headpart (Spare part-nr. 42385000)
- 11: AV1 complete with pipe extension (Spare part-nr. 42320000)
- 11.1: Extension for overflow pipe (Spare part-nr. 42313000)
- 11.2: pneumatic hose (Spare part-nr. 42319000)
- 11.3: Ball seal dia. 9x6.8 mm (Spare part-nr. 42310000)
- 12: Valve seat for GD2 (Spare part-nr. 42315000)
- 13: Wall union (Spare part-nr. 3855800M)
- 14: Flush plate (Spare part-nr. 38505SH0)
- 14.1: Screw dia. 4x52 mm (Spare part-nr. 6636200M)
- 14.2: Frame (Spare part-nr. 43207000)
- 14.3: Fixing set (Spare part-nr. 4308500M)*
- 14.4: Fixing set (Spare part-nr. 4215800M)*
- 15: Retro-fit set (Spare part-nr. 38796000)*
- 16: Set for noise protection (Spare part-nr. 37131000)*
- 17: 4,5 l Adapter for GD2 (Spare part-nr. 42333000)*

* Optional accessories