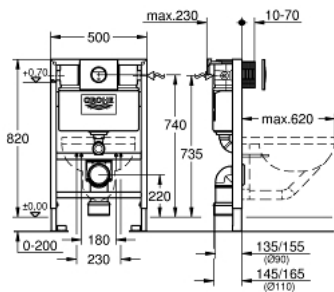


## 38 868 000 RAPID SL 3-IN-1 SET FOR WC, 0.82 M INSTALLATION HEIGHT

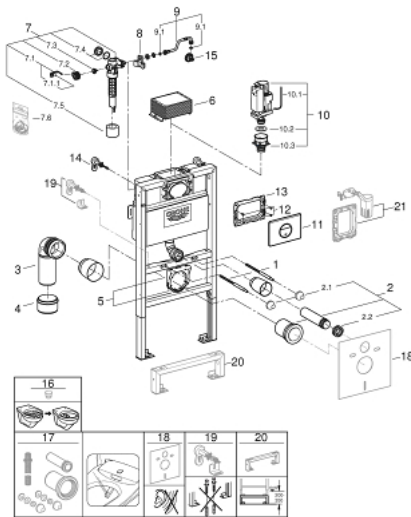


### PRODUCT DESCRIPTION

- Colour: chrome
- with flushing cistern 6 - 9 l
- consists of:
  - Rapid SL element for WC (38 526 000)
  - Nova Cosmopolitan flush plate, chrome (38 765 000)
  - wall brackets (38 558 00M)



## 38 868 000 RAPID SL 3-IN-1 SET FOR WC, 0.82 M INSTALLATION HEIGHT



### SPARE PARTS, October 2021 – now

- 1: Threaded bolt (Spare part-nr. 4276400M)
- 2: WC inlet and outlet connecting set (Spare part-nr. 37311K00)
- 2.1: Basin fastening (Spare part-nr. 43511SH0)
- 2.2: Connector (Spare part-nr. 37119000)
- 3: PP-outlet bend Ø 90 mm (Spare part-nr. 42327000)
- 4: 4" Outlet Adaptor F Rapid SI (Spare part-nr. 42242000)
- 5: Support for outlet bend (Spare part-nr. 42243000)
- 6: inspection shaft for flushing cistern (Spare part-nr. 42326000)
- 7: Filling valve (Spare part-nr. 37095000)
- 7.1: Lever (Spare part-nr. 43734000)
- 7.1.1: Ball seal dia. 9x6.8 mm (Spare part-nr. 4377000M)
- 7.2: Valve head (Spare part-nr. 43536000)
- 7.3: Membrane (Spare part-nr. 4375800M)
- 7.4: Screw cap (Spare part-nr. 43735000)
- 7.5: Valve float, 5 pcs. (Spare part-nr. 4379100M)
- 7.6: Repl. kit f. seal (Spare part-nr. 43722000)\*
- 8: Support device (Spare part-nr. 42195000)
- 9: Overflow Sleeve (Spare part-nr. 43325000)
- 9.1: Seat washer (Spare part-nr. 0319100M)
- 10: Discharge valve AV1 complete (Spare part-nr. 42314000)
- 10.1: pneumatic hose (Spare part-nr. 42319000)
- 10.2: Ball seal dia. 9x6.8 mm (Spare part-nr. 42310000)
- 10.3: Valve seat for GD2 (Spare part-nr. 42315000)
- 11: top plate w. push button (Spare part-nr. 42375000)
- 12: Screw dia. 4x52 mm (Spare part-nr. 6636200M)
- 13: Frame (Spare part-nr. 43207000)
- 14: Wall union (Spare part-nr. 3855800M)
- 15: Water connection (Spare part-nr. 48561000)
- 16: Flow restrictor (Spare part-nr. 42300000)\*
- 17: Retrofit kit for shower toilets Sensia Arena and Sensia Pro (Spare part-nr. 40899000)\*
- 18: Set for noise protection (Spare part-nr. 37131000)\*
- 19: Xtra wall brackets, flexible placing (Spare part-nr. 38733000)\*
- 20: Extension (Spare part-nr. 38629000)\*
- 21: Retro-fit set (Spare part-nr. 38796000)\*

\* Optional accessories