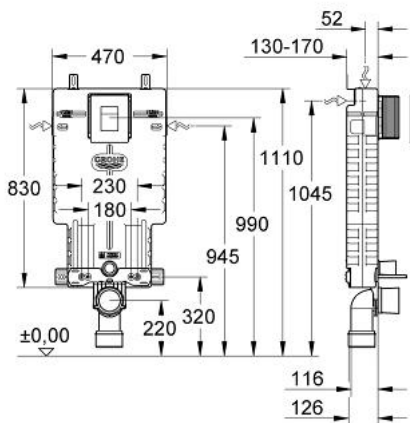


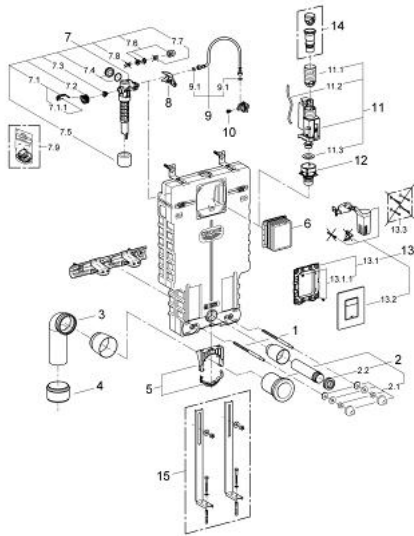
## 38 870 000 UNISET 2-IN-1 SET FOR WC



### PRODUCT DESCRIPTION

- with flushing cistern GD 2, 6 - 9 l
- sound-insulating EPS module for masonry-in
- 830 x 470 x 130 mm
- rail adaptors for modular fixing
- for single or rail installation
- wall rail with fixing accessories for single installation
- 2 WC fixing bolts
- distance of fixing bolts 180/230 mm
- fixing device for ceramic
- outlet bend Ø 90 mm
- depth adjustable
- reducer Ø 90/110 mm
- inlet and outlet connecting set
- flushing cistern GD 2, 6 - 9 l
- adjustment ex factory 6 l and 3 l
- pneumatic discharge valve offering 3 modes of operation: dual flush or start/stop or single flush
- water supply from left/right/back or top
- low noise (group I acc. to German Noise Specification)
- insulated against condensation
- 1/2" water supply connection including integrated angle valve and push fit flexible hose union
- no tools required for the installation of the inspection shaft including protection during construction phase
- for vertical or horizontal use
- with GROHE Fresh retrofit set
- including flush plate Skate Cosmopolitan
- vertical installation
- 156 x 197 mm
- chrome
- material: ABS
- GROHE LongLife finish
- GROHE EcoJoy - Less water, perfect flow

## 38 870 000 UNISET 2-IN-1 SET FOR WC



### SPARE PARTS, 9月 2012 – now

- 1: Threaded bolt (Spare part-nr. 4276400M)
- 2: WC inlet and outlet connecting set (Spare part-nr. 37311K00)
  - 2.1: Basin fastening (Spare part-nr. 43511SH0)
  - 2.2: Connector (Spare part-nr. 37119000)
- 3: PP-outlet bend Ø 90 mm (Spare part-nr. 42327000)
- 4: Reducer (Spare part-nr. 42242000)
- 5: Support for outlet bend (Spare part-nr. 42243000)
- 6: Inspection shaft (Spare part-nr. 66783000)
- 7: Filling valve (Spare part-nr. 37095000)
  - 7.1: Lever (Spare part-nr. 43734000)
    - 7.1.1: Seal (Spare part-nr. 4377000M)
  - 7.2: Valve head (Spare part-nr. 43536000)
  - 7.3: Membrane (Spare part-nr. 4375800M)
  - 7.4: Screw cap (Spare part-nr. 43735000)
  - 7.5: Valve float, 5 pcs. (Spare part-nr. 4379100M)
  - 7.6: Set of seals (Spare part-nr. 43722000)\*
- 8: Support device (Spare part-nr. 42246000)
- 9: Connecting hose (Spare part-nr. 42233000)
  - 9.1: Sealing washer (Spare part-nr. 0319100M)
- 10: Headpart (Spare part-nr. 42385000)
- 11: Dual Flush discharge valve AV1 (Spare part-nr. 42320000)
  - 11.1: Extension for overflow pipe (Spare part-nr. 42313000)
  - 11.2: Pneumatic hose (Spare part-nr. 42319000)
  - 11.3: Seal (Spare part-nr. 42310000)
- 12: Valve seat for GD2 (Spare part-nr. 42315000)
- 13: Flush plate (Spare part-nr. 38805000)
  - 13.1: Mounting frame (Spare part-nr. 42358000)
    - 13.1.1: Screw (Spare part-nr. 6636200M)
  - 13.2: Top plate with push button (Spare part-nr. 42371000)
  - 13.3: Fixing set (Spare part-nr. 4308500M)\*
- 14: 4.5 l adapter for GD2 (Spare part-nr. 42333000)\*
- 15: Support feet (Spare part-nr. 37304000)\*

\* Optional accessories