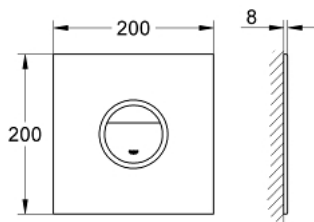


## 38 915 LS0 GROHE ONDUS DIGITECTURE LIGHT FLUSH PLATE

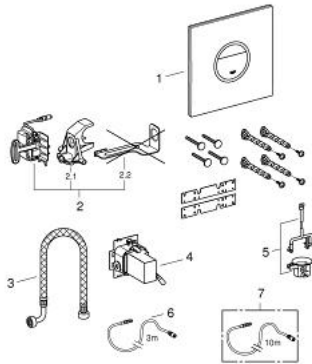


### PRODUCT DESCRIPTION

- Colour: moon white
- for SoftTouch flushing activation
- external highlighted outline
- with LEDs in blue, red, yellow, green
- light colour individually adjustable
- on/off timer for individual regulation of illuminating period
- 3 m connecting cable
- transformer for external installation
- servo motor
- 110 V to 240 V 50/60 Hz broad range power supply
- 9 VA
- CE approved
- with function check lamps
- for GD 2 cisterns with pneumatic discharge valve AV1
- 200 x 200 mm
- made of security glass
- GROHE EcoJoy - Less water, perfect flow
- not suitable for GROHE Fresh

## 38 915 LS0 GROHE ONDUS DIGITECTURE LIGHT FLUSH PLATE

### SPARE PARTS, 8月 2010 – now



1: Top plate with electronic (Spare part-nr. 42427LS0)

2: Servo motor (Spare part-nr. 43281000)

2.1: Support device (Spare part-nr. 42246000)

2.2: Motor support device (Spare part-nr. 43617000)

3: Hose (Spare part-nr. 43307000)

4: Plug power supply 110-240 V (Spare part-nr. 36078000)

5: Pop-up rod for servo motor (Spare part-nr. 43306000)

6: Extension cable (Spare part-nr. 36221000)

7: Extension cable (Spare part-nr. 36222000)\*

\* Optional accessories