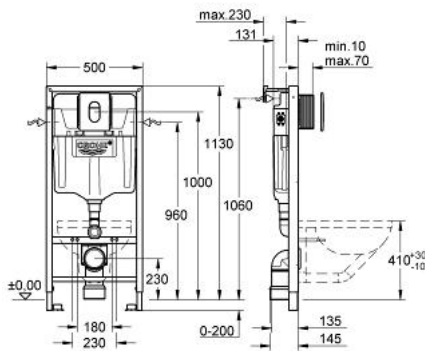


## 38 943 000 **RAPID SL 4 IN 1 SET FOR WC**



### PRODUCT DESCRIPTION (1/2)

- with flushing cistern GD 2, 6 - 9 l
- 1.13 m installation height
- for on-the-wall installations or studded walls
- powder coated steel frame, self-supporting
- for dry-cladding, completely pre-assembled
- with fixed connections
- quick adjustment, lockable
- fixing material
- TÜV approved
- 2 WC fixing bolts
- fixing device for ceramic
- WC ceramics with small bearing area (less than 205 mm) require additional accessory 38 779 000
- distance of fixing bolts 180/230 mm
- outlet bend  $\varnothing$  80 mm
- depth adjustable
- reducer  $\varnothing$  80/100 mm
- inlet and outlet connecting set
- flushing cistern GD 2, 6 - 9 l
- adjustment ex factory 6l and 3l
- pneumatic discharge valve offering 3 modes of operation: dual flush or start/stop or single flush
- water supply from left/right or back
- low noise (group I acc. to German Noise Specification)
- insulated against condensation
- ½" water supply connection including integrated angle valve and push fit flexible hose union
- no tools required for the installation of the inspection shaft incl. protection during construction phase
- for vertical or horizontal use
- including wall plate Arena Cosmopolitan
- vertical installation
- 156 x 197 mm

Pure Freude  
an Wasser

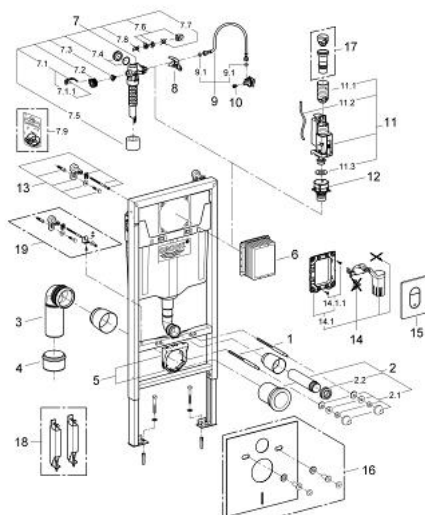


## 38 943 000 **RAPID SL 4 IN 1 SET FOR WC**

### **PRODUCT DESCRIPTION** (2/2)

- chrome
- material: ABS
- GROHE LongLife finish
- accessories for on-the-wall installation
- with GROHE Fresh retrofit set

## 38 943 000 **RAPID SL 4 IN 1 SET FOR WC**



### SPARE PARTS, October 2012 – now

- 1: Threaded bolt (Spare part-nr. 4276400M)
  - 2: WC inlet and outlet connecting set (Spare part-nr. 37311K00)
  - 2.1: Basin fastening (Spare part-nr. 43511SH0)
  - 2.2: Connector (Spare part-nr. 37119000)
  - 3: PP-outlet bend Ø 90 mm (Spare part-nr. 42327000)
  - 4: 4" Outlet Adaptor F Rapid SI (Spare part-nr. 42242000)
  - 5: Support for outlet bend (Spare part-nr. 42243000)
  - 6: Inspection shaft (Spare part-nr. 66791000)
  - 7: Filling valve (Spare part-nr. 37095000)
  - 7.1: Lever (Spare part-nr. 43734000)
  - 7.1.1: Ball seal dia. 9x6.8 mm (Spare part-nr. 4377000M)
  - 7.2: Valve head (Spare part-nr. 43536000)
  - 7.3: Membrane (Spare part-nr. 4375800M)
  - 7.4: Screw cap (Spare part-nr. 43735000)
  - 7.5: Valve float, 5 pcs. (Spare part-nr. 4379100M)
  - 7.6: Repl. kit f. seal (Spare part-nr. 43722000)\*
  - 8: Support device (Spare part-nr. 42246000)
  - 9: Tube (Spare part-nr. 42233000)
  - 9.1: Seat washer (Spare part-nr. 0319100M)
  - 10: Headpart (Spare part-nr. 42385000)
  - 11: AV1 complete with pipe extension (Spare part-nr. 42320000)
  - 11.1: Extension for overflow pipe (Spare part-nr. 42313000)
  - 11.2: pneumatic hose (Spare part-nr. 42319000)
  - 11.3: Ball seal dia. 9x6.8 mm (Spare part-nr. 42310000)
  - 12: Valve seat for GD2 (Spare part-nr. 42315000)
  - 13: Wall union (Spare part-nr. 3855800M)
  - 14: Retro-fit set (Spare part-nr. 38796000)
  - 14.1: Frame (Spare part-nr. 42358000)
  - 14.1.1: Screw dia. 4x52 mm (Spare part-nr. 6636200M)
  - 15: top plate w. push button (Spare part-nr. 42378000)
  - 16: Set for noise protection (Spare part-nr. 37131000)\*
  - 17: 4,5 l Adapter for GD2 (Spare part-nr. 42333000)\*
  - 18: Accessory (Spare part-nr. 38779000)\*
  - 19: Xtra wall brackets, flexible placing (Spare part-nr. 38733000)\*
- \* Optional accessories