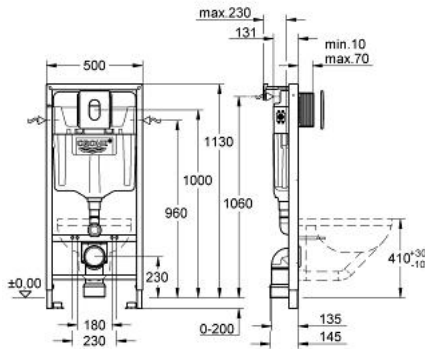


## 38 943 000 **RAPID SL 4-IN-1 SET FOR WC**



### PRODUCT DESCRIPTION (1/2)

- with flushing cistern GD 2, 6 - 9 l
- 1.13 m installation height
- for on-the-wall installations or studded walls
- powder coated steel frame, self-supporting
- for dry-cladding, completely pre-assembled
- with fixed connections
- quick adjustment, lockable
- fixing material
- TÜV approved
- 2 WC fixing bolts
- fixing device for ceramic
- WC ceramics with small bearing area (less than 205 mm) require additional accessory 38 779 000
- distance of fixing bolts 180/230 mm
- outlet bend  $\varnothing$  80 mm
- depth adjustable
- reducer  $\varnothing$  80/100 mm
- inlet and outlet connecting set
- flushing cistern GD 2, 6 - 9 l
- adjustment ex factory 6 l and 3 l
- pneumatic discharge valve offering 3 modes of operation: dual flush or start/stop or single flush
- water supply from left/right or back
- low noise (group I acc. to German Noise Specification)
- insulated against condensation
- 1/2" water supply connection including integrated angle valve and push fit flexible hose union
- no tools required for the installation of the inspection shaft including protection during construction phase
- for vertical or horizontal use
- including flush plate Arena Cosmopolitan
- vertical installation
- 156 x 197 mm

Pure Freude  
an Wasser

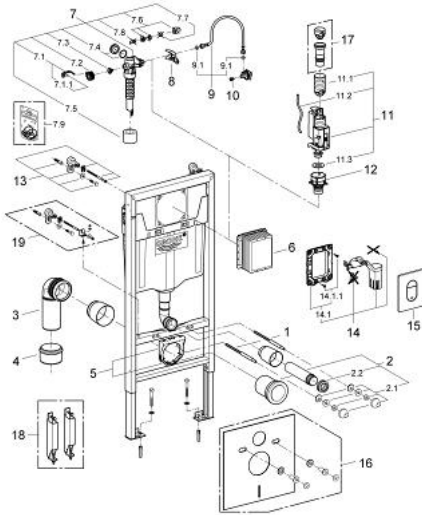


## 38 943 000 **RAPID SL 4-IN-1 SET FOR WC**

### **PRODUCT DESCRIPTION** (2/2)

- chrome
- material: ABS
- GROHE LongLife finish
- accessories for on-the-wall installation
- with GROHE Fresh retrofit set

## 38 943 000 **RAPID SL 4-IN-1 SET FOR WC**



### SPARE PARTS, 10月 2012 – now

- 1: Threaded bolt (Spare part-nr. 4276400M)
- 2: WC inlet and outlet connecting set (Spare part-nr. 37311K00)
  - 2.1: Basin fastening (Spare part-nr. 43511SH0)
  - 2.2: Connector (Spare part-nr. 37119000)
- 3: PP-outlet bend Ø 90 mm (Spare part-nr. 42327000)
- 4: Reducer (Spare part-nr. 42242000)
- 5: Support for outlet bend (Spare part-nr. 42243000)
- 6: Inspection shaft (Spare part-nr. 66791000)
- 7: Filling valve (Spare part-nr. 37095000)
  - 7.1: Lever (Spare part-nr. 43734000)
    - 7.1.1: Seal (Spare part-nr. 4377000M)
  - 7.2: Valve head (Spare part-nr. 43536000)
  - 7.3: Membrane (Spare part-nr. 4375800M)
  - 7.4: Screw cap (Spare part-nr. 43735000)
  - 7.5: Valve float, 5 pcs. (Spare part-nr. 4379100M)
  - 7.6: Set of seals (Spare part-nr. 43722000)\*
- 8: Support device (Spare part-nr. 42246000)
- 9: Connecting hose (Spare part-nr. 42233000)
  - 9.1: Sealing washer (Spare part-nr. 0319100M)
- 10: Headpart (Spare part-nr. 42385000)
- 11: Dual Flush discharge valve AV1 (Spare part-nr. 42320000)
  - 11.1: Extension for overflow pipe (Spare part-nr. 42313000)
  - 11.2: Pneumatic hose (Spare part-nr. 42319000)
  - 11.3: Seal (Spare part-nr. 42310000)
- 12: Valve seat for GD2 (Spare part-nr. 42315000)
- 13: Wall brackets (Spare part-nr. 3855800M)
- 14: Retrofit set (Spare part-nr. 38796000)
  - 14.1: Mounting frame (Spare part-nr. 42358000)
    - 14.1.1: Screw (Spare part-nr. 6636200M)
- 15: Top plate with push button (Spare part-nr. 42378000)
- 16: Set for noise protection (Spare part-nr. 37131000)\*
- 17: 4.5 l adapter for GD2 (Spare part-nr. 42333000)\*