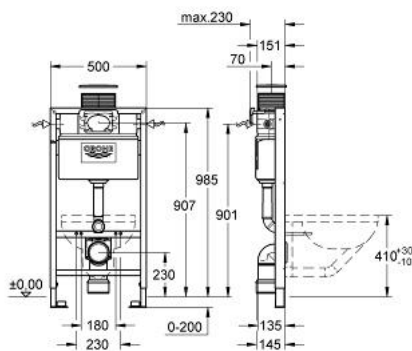


## 38 944 000 **RAPID SL 4 IN 1 SET FOR WC**



### PRODUCT DESCRIPTION (1/2)

- with flushing cistern 6 - 9 l
- for on-the-wall installations or studed walls
- 1.00 m installation height
- powder coated steel frame, self-supporting
- with fixed connections
- for dry-cladding, completely pre-assembled
- quick adjustment, lockable
- fixing material
- TÜV approved
- 2 WC fixing bolts
- fixing device for ceramic
- WC ceramics with small bearing area (less than 205 mm) require additional accessory 38 779 000
- distance of fixing bolts 180/230 mm
- outlet bend Ø 90 mm
- depth adjustable
- reducer Ø 90/110 mm
- inlet and outlet connecting set
- flushing cistern 6 - 9 l
- pneumatic discharge valve offering 3 modes of operation: dual flush or start/stop or single flush
- front or top actuation
- water supply from left/right or back
- low noise (group I acc. to German Noise Specification)
- insulated against condensation
- ½" water supply connection including integrated angle valve and push fit flexible hose union
- inspection shaft with protecting block
- including wall plate Arena Cosmopolitan
- horizontal installation
- 156 x 197 mm
- chrome
- material: ABS

Pure Freude  
an Wasser

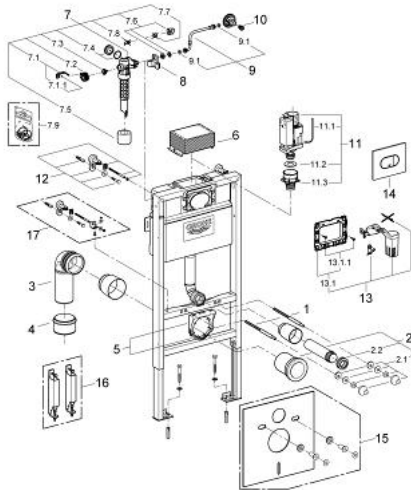


## 38 944 000 **RAPID SL 4 IN 1 SET FOR WC**

### **PRODUCT DESCRIPTION** (2/2)

- GROHE LongLife finish
- GROHE EcoJoy - less water, perfect flow
- accessories for on-the-wall installation
- with GROHE Fresh retrofit set

## 38 944 000 **RAPID SL 4 IN 1 SET FOR WC**



### SPARE PARTS, October 2012 – now

- 1: Threaded bolt (Spare part-nr. 4276400M)
- 2: WC inlet and outlet connecting set (Spare part-nr. 37311K00)
- 2.1: Basin fastening (Spare part-nr. 43511SH0)
- 2.2: Connector (Spare part-nr. 37119000)
- 3: PP-outlet bend Ø 90 mm (Spare part-nr. 42327000)
- 4: 4" Outlet Adaptor F Rapid SI (Spare part-nr. 42242000)
- 5: Support for outlet bend (Spare part-nr. 42243000)
- 6: inspection shaft.for flushing cistern (Spare part-nr. 42326000)
- 7: Filling valve (Spare part-nr. 37095000)
- 7.1: Lever (Spare part-nr. 43734000)
- 7.1.1: Ball seal dia. 9x6.8 mm (Spare part-nr. 4377000M)
- 7.2: Valve head (Spare part-nr. 43536000)
- 7.3: Membrane (Spare part-nr. 4375800M)
- 7.4: Screw cap (Spare part-nr. 43735000)
- 7.5: Valve float, 5 pcs. (Spare part-nr. 4379100M)
- 7.6: Repl. kit f. seal (Spare part-nr. 43722000)\*
- 8: Support device (Spare part-nr. 42195000)
- 9: Overflow Sleeve (Spare part-nr. 43325000)
- 9.1: Seat washer (Spare part-nr. 0319100M)
- 10: Headpart (Spare part-nr. 42385000)
- 11: Discharge valve AV1 complete (Spare part-nr. 42314000)
- 11.1: pneumatic hose (Spare part-nr. 42319000)
- 11.2: Ball seal dia. 9x6.8 mm (Spare part-nr. 42310000)
- 11.3: Valve seat for GD2 (Spare part-nr. 42315000)
- 12: Wall union (Spare part-nr. 3855800M)
- 13: Retro-fit set (Spare part-nr. 38796000)
- 13.1: Frame (Spare part-nr. 42358000)
- 13.1.1: Screw dia. 4x52 mm (Spare part-nr. 6636200M)
- 14: top plate w. push button (Spare part-nr. 42379000)
- 15: Set for noise protection (Spare part-nr. 37131000)\*
- 16: Accessory (Spare part-nr. 38779000)\*
- 17: Xtra wall brackets, flexible placing (Spare part-nr. 38733000)\*

\* Optional accessories