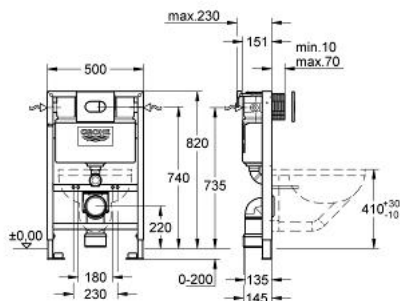


## 38 945 000 **RAPID SL 4 IN 1 SET FOR WC**



### PRODUCT DESCRIPTION (1/2)

- with flushing cistern 6 - 9 l
- for on-the-wall installations or studed walls
- 0.82 m installation height
- powder coated steel frame, self-supporting
- for dry-cladding, completely pre-assembled
- with fixed connections
- quick adjustment, lockable
- TÜV approved
- fixing material
- 2 WC fixing bolts
- fixing device for ceramic
- distance of fixing bolts 180/230 mm
- outlet bend  $\varnothing$  80 mm
- depth adjustable
- reducer  $\varnothing$  80/100 mm
- inlet and outlet connecting set
- flushing cistern 6 - 9 l
- pneumatic discharge valve offering 3 modes of operation: dual flush or start/stop or single flush
- front or top actuation
- water supply from left/right or back
- low noise (group I acc. to German Noise Specification)
- insulated against condensation
- $\frac{1}{2}$ " water supply connection including integrated angle valve and push fit flexible hose union
- inspection shaft with protecting block
- including wall plate Arena Cosmopolitan
- horizontal installation
- 156 x 197 mm
- chrome
- material: ABS
- GROHE LongLife finish
- GROHE EcoJoy - less water, perfect flow

Pure Freude  
an Wasser

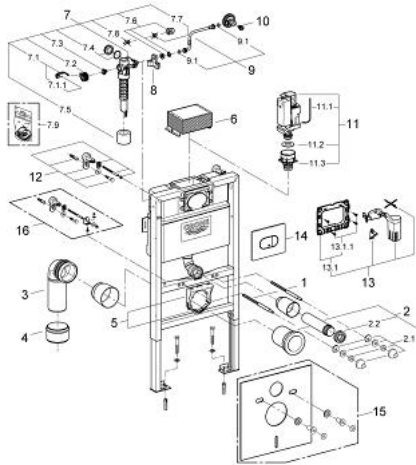


## 38 945 000 **RAPID SL 4 IN 1 SET FOR WC**

### **PRODUCT DESCRIPTION** (2/2)

- accessories for on-the-wall installation
- with GROHE Fresh retrofit set

## 38 945 000 RAPID SL 4 IN 1 SET FOR WC



### SPARE PARTS, December 2012 – now

- 1: Threaded bolt (Spare part-nr. 4276400M)
  - 2: WC inlet and outlet connecting set (Spare part-nr. 37311K00)
  - 2.1: Basin fastening (Spare part-nr. 43511SH0)
  - 2.2: Connector (Spare part-nr. 37119000)
  - 3: PP-outlet bend Ø 90 mm (Spare part-nr. 42327000)
  - 4: 4" Outlet Adaptor F Rapid SI (Spare part-nr. 42242000)
  - 5: Support for outlet bend (Spare part-nr. 42243000)
  - 6: inspection shaft.for flushing cistern (Spare part-nr. 42326000)
  - 7: Filling valve (Spare part-nr. 37095000)
  - 7.1: Lever (Spare part-nr. 43734000)
  - 7.1.1: Ball seal dia. 9x6.8 mm (Spare part-nr. 4377000M)
  - 7.2: Valve head (Spare part-nr. 43536000)
  - 7.3: Membrane (Spare part-nr. 4375800M)
  - 7.4: Screw cap (Spare part-nr. 43735000)
  - 7.5: Valve float, 5 pcs. (Spare part-nr. 4379100M)
  - 7.6: Repl. kit f. seal (Spare part-nr. 43722000)\*
  - 8: Support device (Spare part-nr. 42195000)
  - 9: Overflow Sleeve (Spare part-nr. 43325000)
  - 9.1: Seat washer (Spare part-nr. 0319100M)
  - 10: Headpart (Spare part-nr. 42385000)
  - 11: Discharge valve AV1 complete (Spare part-nr. 42314000)
  - 11.1: pneumatic hose (Spare part-nr. 42319000)
  - 11.2: Ball seal dia. 9x6.8 mm (Spare part-nr. 42310000)
  - 11.3: Valve seat for GD2 (Spare part-nr. 42315000)
  - 12: Wall union (Spare part-nr. 3855800M)
  - 13: Retro-fit set (Spare part-nr. 38796000)
  - 13.1: Frame (Spare part-nr. 42358000)
  - 13.1.1: Screw dia. 4x52 mm (Spare part-nr. 6636200M)
  - 14: top plate w. push button (Spare part-nr. 42379000)
  - 15: Set for noise protection (Spare part-nr. 37131000)\*
  - 16: Xtra wall brackets, flexible placing (Spare part-nr. 38733000)\*
- \* Optional accessories